

ART. FBLB

FITBLOCK ALLOY

IN ZINC ALLOY



Benefits

- Adjustable
- Robust assembly
- Versatile

Markets



Fitblock® is a fastening system for coplanar and perpendicular panels, which offers the advantage of disassembly and reassembly in a fast, precise and robust way.

Designed for the modular management of decks and floor templates, so as to have a precise technical surface.

This version allows, by means of the dedicated screws, to adjust the coupling distance between the panels.

Easy to assemble, remove and reposition, Fitblock facilitates the design and construction of technical surfaces.

Fitblock®, is the innovation that revolutionizes the management of floor boards and templates.

INSTALLATION

MANUAL POSITIONING

Identify the assembly position by presenting the two panels and positioning the FBB to shape the section to be milled.

Carry out the milling as per the technical drawing on the back.

Install the bases on both panels, and by means of the junction plug, couple them.

CAD-CAM POSITIONING

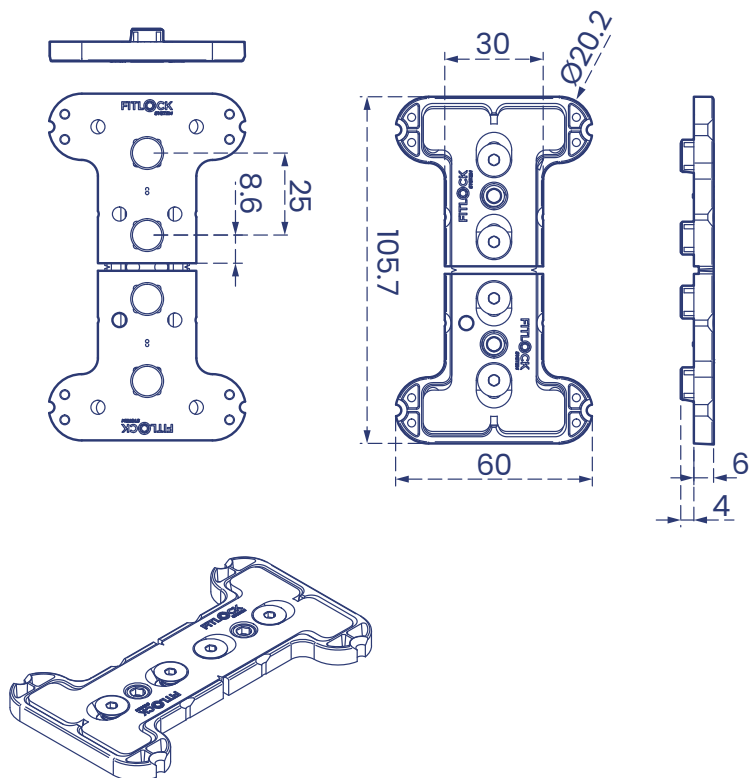
Thanks to the DWG files supplied, the fixing points can be positioned on the panels in the design/production stage.

Complete	FBLB
Material	Zinc alloy
Screws to be used	∅ 3 mm countersunk flat head screw
Full weight	127 g

FITLOCK
SYSTEM

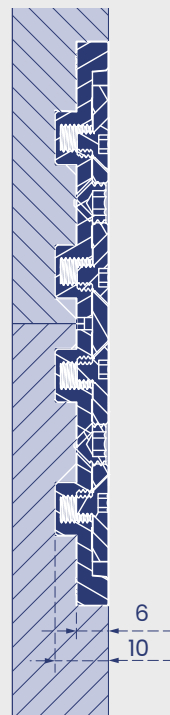
fitlock.it

SIZE



ASSEMBLY MODE

FBLB



DISCOVER
MORE



FITLOCK
SYSTEM

FITLOCK® · FITKITE® · FITPAN® · FITFLOOR® · FITJUMP®
FITGRID® · FITCLOCK® · FITBLOCK®

Fitlock è un marchio registrato da:

DAUREKA

Via L. Fibonacci 924

56031 Bientina (Pisa), Italy

Phone +39 0587 756407 · Fax +39 0587 756407

fitlock.it · info@fitlock.it

AVVERTENZE: Le informazioni e le prescrizioni sopra riportate, pur corrispondendo alla nostra migliore esperienza, sono da ritenersi, in ogni caso, puramente indicative e dovranno essere confermate da esaurienti applicazioni pratiche; pertanto, prima di adoperare il prodotto, chi intenda farne uso è tenuto a stabilire se esso sia o meno adatto all'impiego previsto e, comunque, si assume ogni responsabilità che possa derivare dal suo uso.