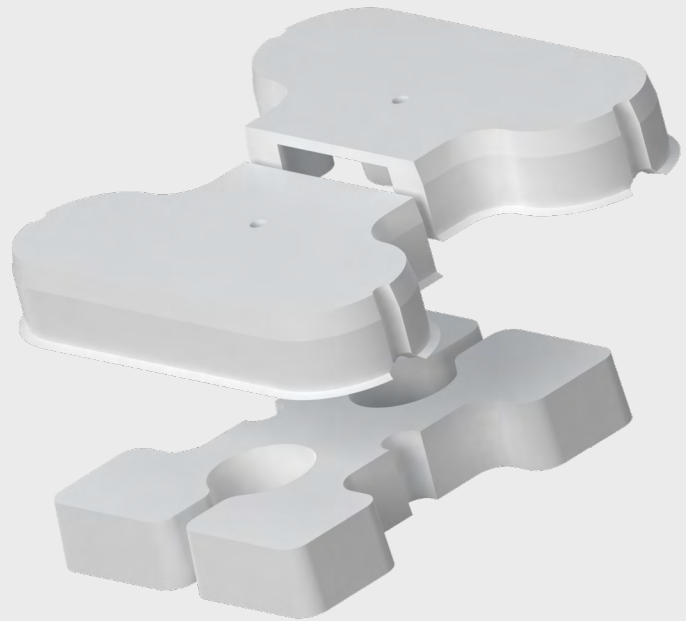


ART. FBB

# FITBLOCK

IN LOADED NYLON



## Benefits

- Ease of installation
- Robust assembly
- Versatile

## Markets



**Fitblock®** is a fastening system for coplanar and perpendicular panels, which offers the advantage of disassembly and reassembly in a fast, precise and robust way.

Designed for the modular management of decks and floor templates, so as to have a precise technical surface.

Easy to assemble, remove and reposition, Fitblock facilitates the design and construction of technical surfaces.

**Fitblock®**, is the innovation that revolutionizes the management of floor boards and templates.

## INSTALLATION

### MANUAL POSITIONING

For the coplanar (FBB) and perpendicular (FBB90) version, identify the assembly position by presenting the two panels and positioning the FBB to shape the section to be milled.

Carry out the milling as per the technical drawing on the back.

Install the bases on both panels, and by means of the junction plug, couple them.

### CAD-CAM POSITIONING

Thanks to the DWG files supplied, the fixing points can be positioned on the panels in the design/production stage.

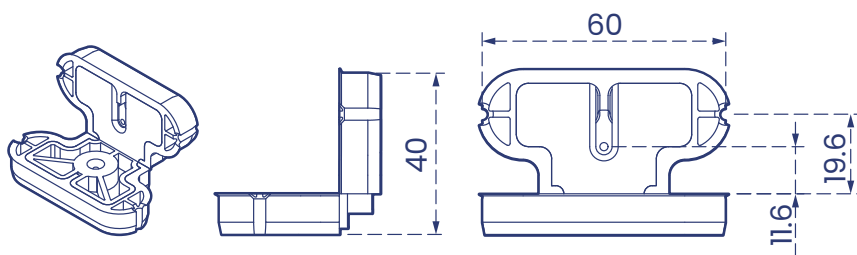
Complete	FBB	FBB90
Material	Loaded Nylon	Loaded Nylon
Screws to be used	Testa svasata piana $\varnothing$ 3,5 mm	
Full weight	28 g	26,5 g

**FITLOCK**  
SYSTEM

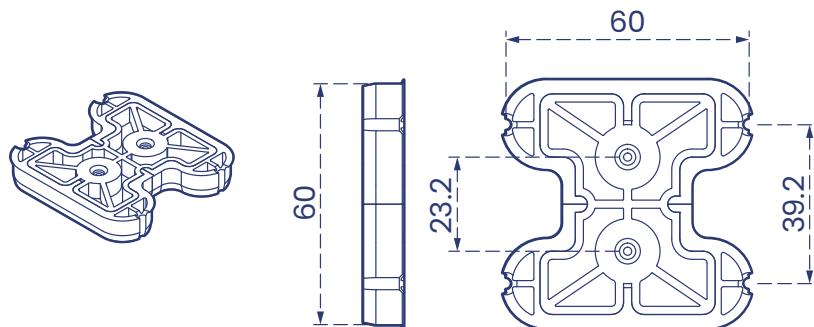
[fitlock.it](http://fitlock.it)

## SIZE

### FBB90

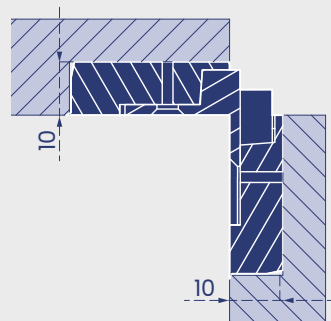


### FBB

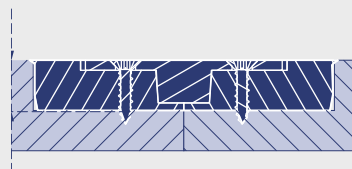


## ASSEMBLY MODE

### FBB90



### FBB



DISCOVER  
MORE



**FITLOCK**  
SYSTEM

FITLOCK® · FITKITE® · FITPAN® · FITFLOOR® · FITJUMP®  
FITGRID® · FITCLOCK® · FITBLOCK®

Fitlock è un marchio registrato da:

**DAUREKA**

Via L. Fibonacci 924

56031 Bientina (Pisa), Italy

Phone +39 0587 756407 · Fax +39 0587 756407

fitlock.it · info@fitlock.it

**AVVERTENZE:** Le informazioni e le prescrizioni sopra riportate, pur corrispondendo alla nostra migliore esperienza, sono da ritenersi, in ogni caso, puramente indicative e dovranno essere confermate da esaurienti applicazioni pratiche; pertanto, prima di adoperare il prodotto, chi intenda farne uso è tenuto a stabilire se esso sia o meno adatto all'impiego previsto e, comunque, si assume ogni responsabilità che possa derivare dal suo uso.