

ITEM FCSAVR

ADJUSTABLE FITCLOCK

IN ALLOY

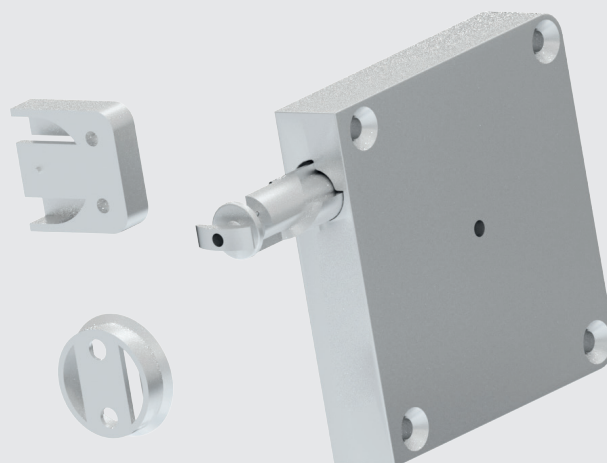


exclusive minimum gap of

1 mm

to unlock drawers

PATENTED SYSTEM



Benefits

- Adjustable
- Easy simplified
- Non-invasive aftersales installation

Markets



Adjustable Fitclock® is the innovative system that replaces the traditional *push/open one* usually used in the nautical and caravan field, improves and makes easier the block of the doors, and facilitates their opening.

This meliorative system does not affect the aesthetics and the use of the doors; indeed, with its operation range of just **0.7 mm**, **Adjustable Fitclock®** unlocks the door and allows its opening.

The system is also available in two versions, **Adjustable Fitclock® (FCSAVR)** equipped with apposite adjusting element allows $\pm 2,4$ mm coupling adjustment even after assembly. **Fitclock® (FCSAV)** applies where no post-installation adjustment is required.

When perfection is required, the **Fitclock® adjustable** system is the correct lock.

INSTALLATION OF ADJUSTABLE FITCLOCK

Identify the perimeter position suitable for door tightening, both vertical and horizontal, place the mechanism body with the deviation from the inner edge of the cabinet, as per technical sheet, according to the type of tightening chosen.

Fix the body using four $\varnothing 2,4 \times 25$ screws.

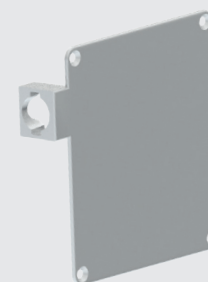
After having placed the machine on the cabinet, insert a 1.5x25 mm awl into the hole on the fitting pin, mark the fitting position, then close and fix it as follows:

- **External:** through the protrusion on the back, place it on the door and fix it with $\varnothing 2,2 \times 20$ screws
- **Recessed:** obtain the seat using a 16 Forstner tip and fix it with $\varnothing 3 \times 12$ screws.

IT is possible to fit also the recessed body, as per technical sheet on next page, in order to place the apposite cover and 4 $\varnothing 2,4 \times 20$. screws

ACCESSORIES

LEFT COVER
FCSAVPIX



RIGHT COVER
FCSAVPIDX

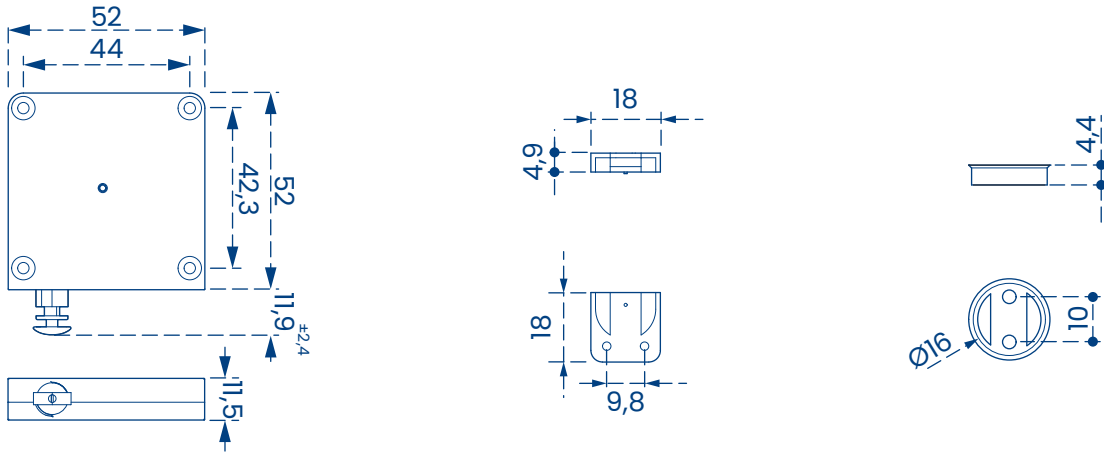


FCSAVR	Push/open tightening system for doors
B6FCSAVR	6-unit box FCSAV + dedicated screwdriver
Material	Alloy
Full weight	100 g
Screws to be used	Countersunk flat head $\varnothing 2,4 \times 25$ / $\varnothing 3 \times 12$ / $\varnothing 2,2 \times 20$.

FITLOCK
SYSTEM

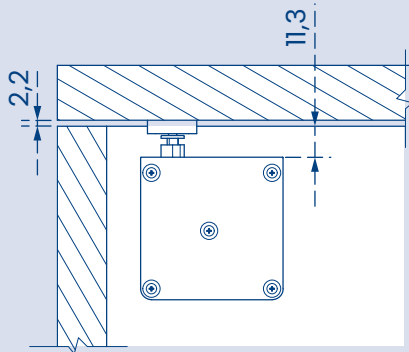
fitlock.it

MEASUREMENTS AND OVERALL DIMENSIONS FITCLOCK

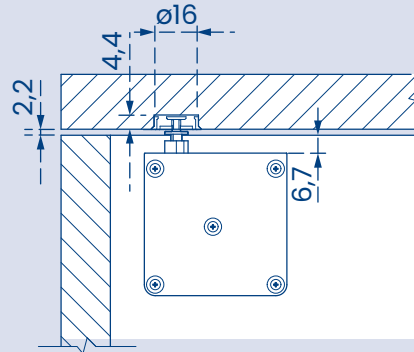


FITCLOCK ASSEMBLY

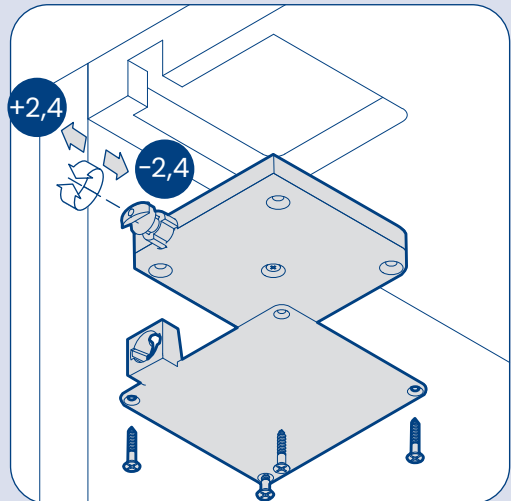
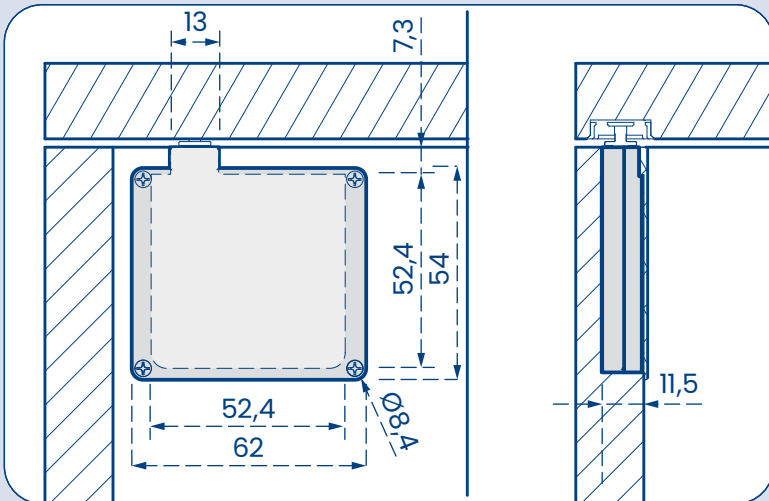
EXTERNAL FITTING



RECESSED FITTING



RECESSED INSTALLATION



FITLOCK® · FITKITE® · FITPAN® · FITFLOOR® · FITJUMP®
FITGRID® · FITCLOCK® · FITBLOCK®

Fitlock is a registered trademark by:

DAUREKA
Via L. Fibonacci 924
56031 Bientina (Pisa), Italy
Phone +39 0587 756407 · Fax +39 0587 756407
fitlock.it · info@fitlock.it

NOTICE: The above information and provisions, although reflecting our best experience, shall be deemed as merely indicative and shall be confirmed by exhaustive practical applications. Therefore, before using the product, those who intend to use it shall determine whether it is suitable for its intended use and anyway shall undertake all responsibility resulting from its use.